



ENCLOSING ELECTRONICS ONE BOX AT A TIME

ENCLOSURES & ASSEMBLY SERVICES

ENCLOSURES & ASSEMBLY SERVICES

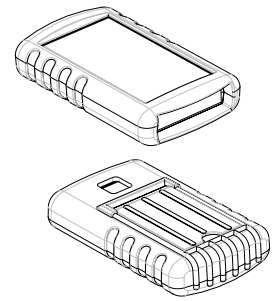
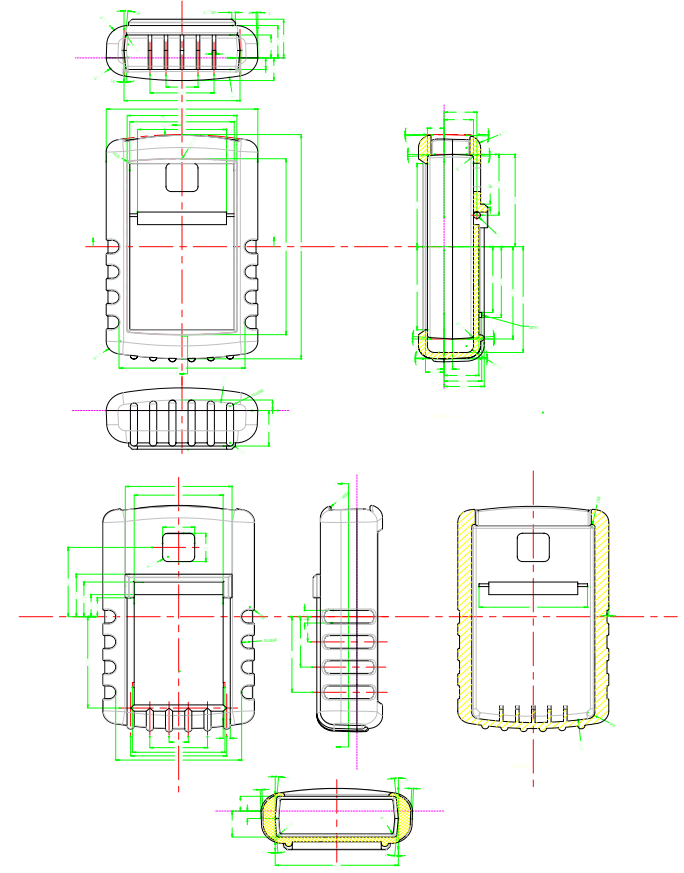
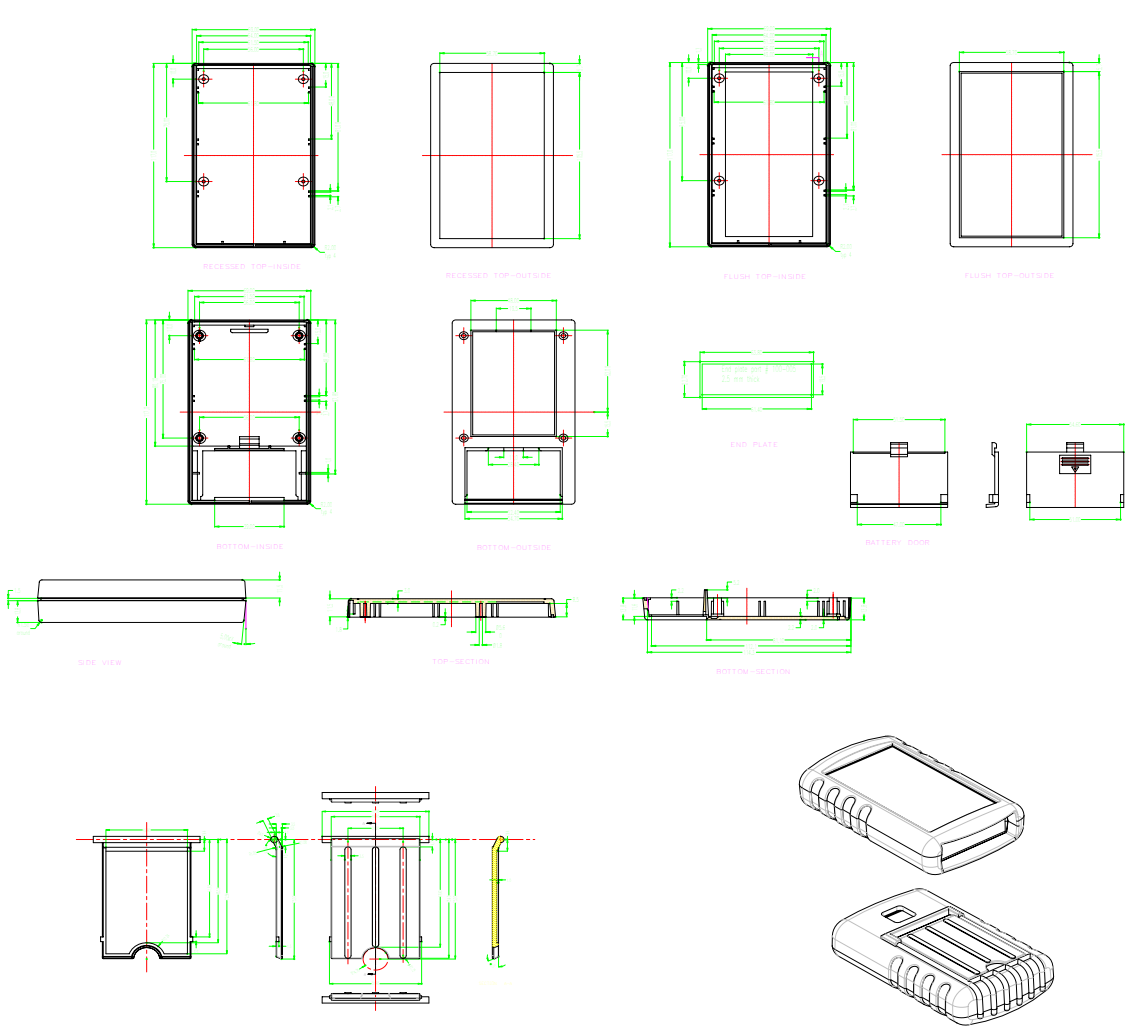
BOX ENCLOSURES, INC

28835 N. HERKY DRIVE, #114,  
LAKE BLUFF, IL 60044

TEL: 847-932-4700

WWW.BOXENCLOSURES.COM

FAX: 847-932-4701



THIS DRAWING IS THE PROPERTY OF AND MAY EMBODY PROPRIETARY INFORMATION OWNED BY X-Box Enclosures. IT IS PROVIDED UNDER A CONFIDENTIAL RELATIONSHIP FOR A SPECIFIC PURPOSE. THE RECIPIENT AGREES TO USE IT ONLY FOR SUCH PURPOSE AND RETURN IT TO X-Box Enclosure UPON REQUEST.

<p>ENCLOSURES &amp; ASSEMBLY SERVICES ENCLOSURES &amp; ASSEMBLY SERVICES</p>		ENCLOSING ELECTRONICS ONE BOX AT A TIME		Revision:	
		Title: 50-SERIES		Model:	
Material:		TOLERANCE all dimension in mm unless otherwise specified.		Dwg. No.:	
Finish:		Color:		Part No.:	
Proj.		Qty:		Drn. Date Tan zonghaun Apr 10 04	
		ANGLE ±0.5°		Chk. Date	
		A4 Sheet   of		App. Date	